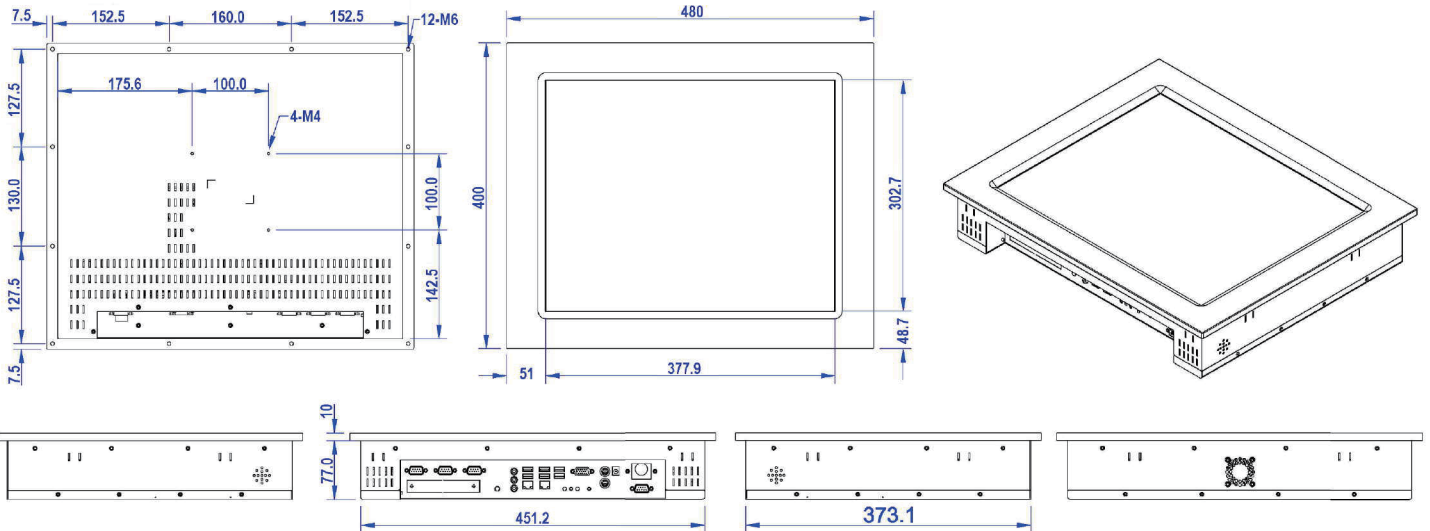


PPC-1998PT-AL

19" Rugged Panel PC, Aluminum Bezel, Intel 1.6GHz CPU
Dual Gb LAN, 4 COM, 6 USB, PS2 KB-Mouse, Audio, PCI slot



TECHNICAL SPECIFICATIONS

LCD Display Grade

LCD Size	19" Active Matrix TFT LCD
Resolution	1280 x 1024 resolution
Aspect Ratio	4 : 3 standard ratio
Luminance	350 cd/m ²
Color Depth	16.7 million colors
View Angle	85(L) / 85(R) / 80(U) / 80(D) degree
Contrast Ratio	800 : 1 (typical)
Backlight life	50,000 Hours at 25°C ambient temperature

Touch Screen

Touch Screen	19" long life 5-Wire Resistive Touch
Resolution	4096 x 4096 ultra high resolution

Mainboard

CPU	Intel Ultra Low Voltage Atom 1.6GHz CPU
System Memory	1GB DDR2 RAM (Option : 2G SO-DIMM RAM)
Storage Device	80, 160, 320, 500G, 640GB anti-shock 2.5" HDD
SSD	Optional 4, 8, 16, 32, 64, 128GB Solid State Disk

Chipset

System Chipset	Intel GSE945 and ICH7M
----------------	------------------------

I/O Interface

Graphics Chip	Intel GMA 950
Video RAM	224MB Video share RAM
COM (Serial)	4 RS232 COM Ports (Option : 6 COM Ports)
RS422 / 485	Option : 1 RS422 / 485
USB Port	6 USB2.0 Ports (Option : 8 USB Ports)
PS2 KB & Mouse	1 PS2 for Keyboard ; 1 PS2 for Mouse
Audio Port	Support Audio-In, Audio-Out, and Mic-in

Expansion Slot

PCI Slot	1 PCI slot
Mini PCIe Slot	1 mini PCI-e slot for WiFi or else purpose
PCI-e x 1 Slot	1 PCI-e x1 slot
CF Slot	1 x Compact Flash slot
SATA Slot	2 x SATA free slots for second disk

Mechanical

Front Bezel	Solid Aluminum Bezel
Construction	Rugged steel construction
Color	Black color (Option : Silver)

Mounting Method

Panel Mount	Support Panel Mount
Wall-Mount	Support VESA-75 wall mounting
Mounting Kit	Mounting Kit is available at extra cost

IP-65 Rate and I/O Connector

Front Side	IP-65 Water-proof on front side
Back and Bottom	IP-54 on back and bottom sides

Environmental

Operat Temperature	Meet MIL-STD-810F, 0°C to +60°C
Storage Temperature	Meet MIL-STD-810F, -20°C ~ +80°C
Shock	Meet MIL-STD-810F standard
Vibration	Meet MIL-STD-810F standard
CE / FCC / RoHS	Meet CE / FCC / RoHS standard

Power Adapter

AC Power Source	External AC-DC adapter from 90 up to 264V
DC Power Source	Support DC 12V Power source
Option : DC24~28V	Optional DC18~32V is available at extra cost
Safety Approval	Power adapter is UL, cUL, TUV Approval

Ordering Information

PPC-8498T-AL	8.4" Industrial Panel PC with Touch
PPC-1098T-AL	10" Industrial Panel PC with Touch
PPC-1298PT-AL	12" Industrial Panel PC with Touch
PPC-1598PT-AL	15" Industrial Panel PC with Touch
PPC-1798PT-AL	17" Industrial Panel PC with Touch
PPC-1998PT-AL	19" Industrial Panel PC with Touch
PPC-2298PT-AL	21.5" Industrial Panel PC with Touch
PPC-2498PT-AL	24" Industrial Panel PC with Touch
PPC-3298PT-RMC	32" Industrial Panel PC with Touch
PPC-4298PT-RMC	42" Industrial Panel PC with Touch