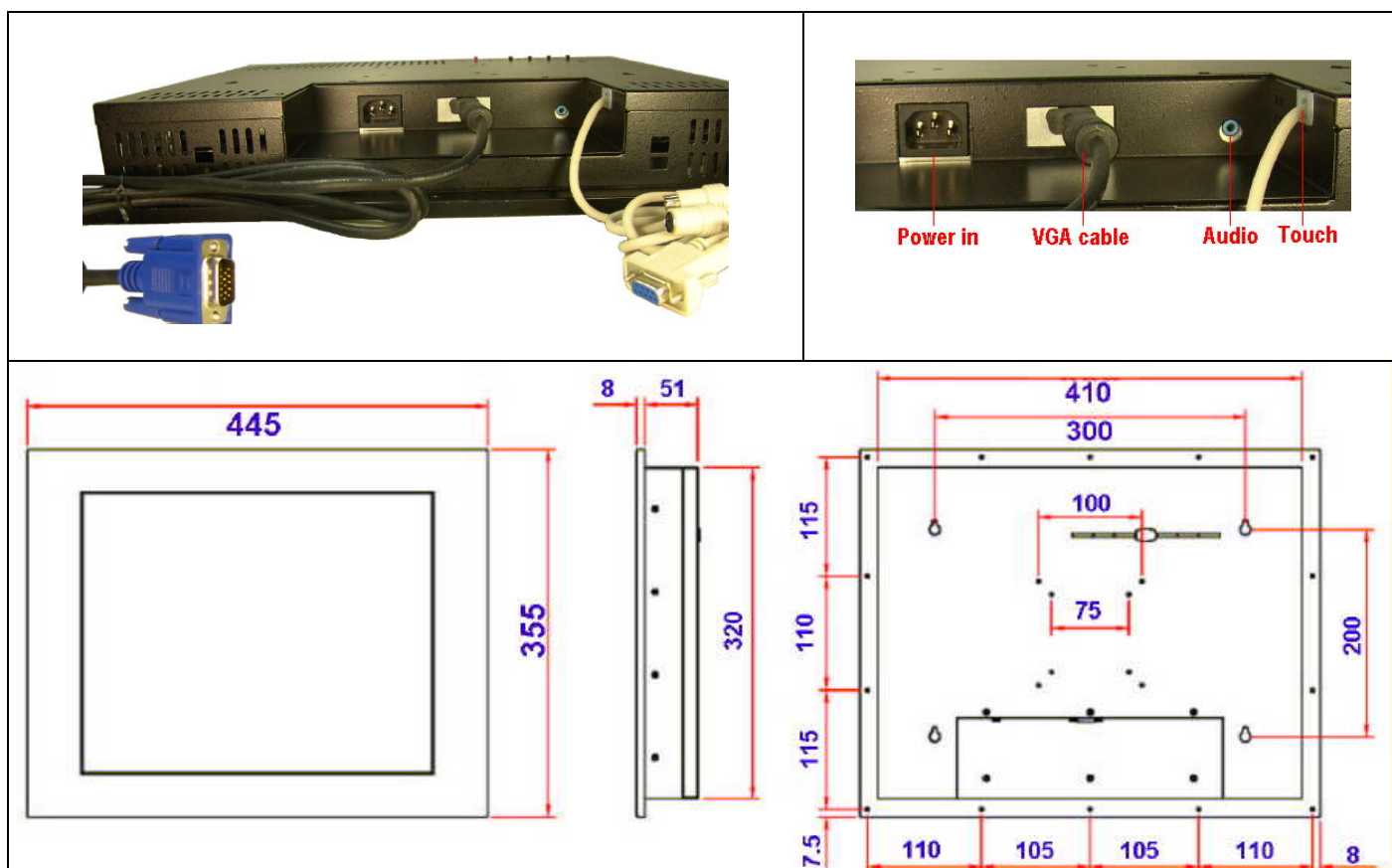


LCM-170T-AL-SUN

17" industrial LCD Monitor with Aluminum front bezel, IP-65, 66, 67, 68, Touch screen, VGA , audio port, 1280 x 1024 resolution, 300 cd/m2, 16.77 million true colors, VESA-75, 100, wide view angles, power adapter



with aluminum front bezel



Specifications

LCD Display size

17" TFT LCD color display

LCD Resolution

1280 x 1024 resolution

Brightness of LCD (Luminance)

600/800/1000 cd/m2 high brightness

Number of Colors :

16.77 millions true colors.

Wide View Angle :

Left and right : 130 degree; Up and down : 120

Life of lamp tubes :

40,000 hours

Front Bezel (for panel-mount purpose)

10mm thick solid aluminum front bezel

IP-65, 66, 67, 68, NEMA-4, 12 Rating

Compliant to IP-65, 66, 67, 68, NEMA-4, 12 water and dust-resistant protection ratings. Meet 100% water-proof front face.

Housing (enclosure) :

Rugged steel construction enclosure.

Panel-mount and Wall-mount standard :

Quick panel mounting and meet VESA-75 and VESA-100 wall-mount standards

Touch Screen : (optional)

Long life 5-wire analog resistive touch screen, 4096 x 4096 resolution, anti-glare treatment. Standard interface connector is : 9-pin D-sub port. USB connector is also available for option.

Wall-mount standard

Compliant to VESA-75 and VESA-100 universal industrial wall mount standard. Extra 4 hook holes are also provided for easy convenient wall mounting.

VGA port :

Standard universal 15-pin D-sub VGA port.

DVI interface :

DVI interface is also available for option.

OSD control buttons :

On-Screen-Display buttons and Power switch button are located at the rear side. This OSD buttons can control screen position Up, Down, Left, Right, Brightness, Contrast ratio, menu, power switch.

Vibration and Shock resistant :

This unit is very well built to have a very good resistant to vibration and shock.

Power Supply :

Universal 100 – 240V AC power supply