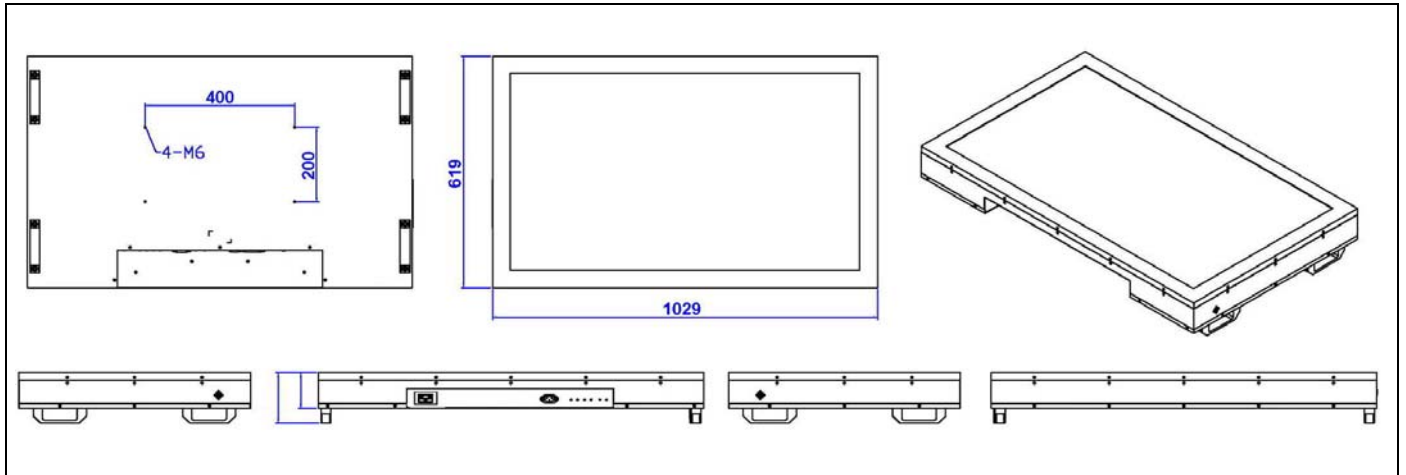
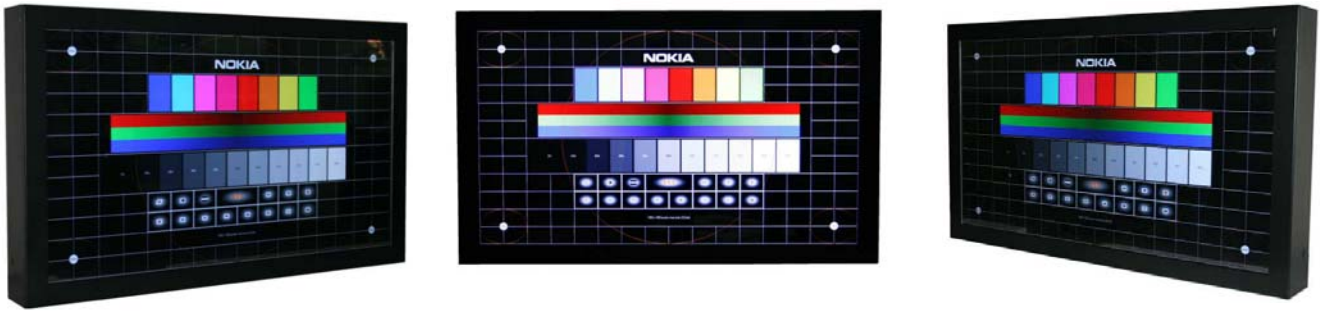


LCM-420-MC-SUN

42" Rugged steel LCD Monitor, 16:10 wide screen, 1920 x 1080 resolution, 550 cd/m2 high brightness, VGA, DVI interface, IP-65 at front.



Specifications

Housing Construction

Rugged steel construction, metal chassis slim design

IP Rating

IP-55 Double face water and dust-resistant

LCD Display size

42" TFT LCD color display

LCD Resolution

1920 x 1080 resolution
16 : 10 aspect ratio

Brightness of LCD (Luminance)

600/800/1000 cd/m2 high brightness

Contrast Ratio :

3000 : 1

Life of backlight tube

60,000 hours

Number of Colors :

16.77 millions colors.

View Angle :

Left and right : 88 / 88 degree;

Up and down : 88 / 88 degree

Life of lamp tubes :

40,000 hours

Color of housing :

Black color is standard

Wall-mount standard

Support VESA 400 x 200 wall-mounting holes

VESA Wall-mount Kit is optional for extra cost

I/O Port :

Support VGA and DVI ports.

OSD control buttons :

On-Screen-Display buttons and Power switch button are located at the rear side. This OSD buttons can control screen position Up, Down, Left, Right, Brightness, Contrast ratio, menu, power switch.

Vibration and Shock resistant :

Meets IEC international industrial and vehicle vibration and shock standards

Power Input :

AC 100 – 240V universal power inputs

Dimension :

see the above drawing

CE, FCC, RoHS compliant

CE, FCC, RoHS compliant
AC 100 – 240V universal power

Order information :

LCM-420-MC-IP55

42" Rugged Industrial TFT LCD monitor with IP-55 Rated water and dust resistant on double face