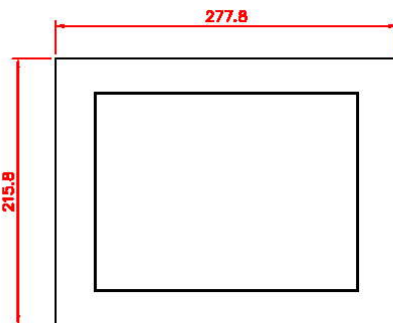
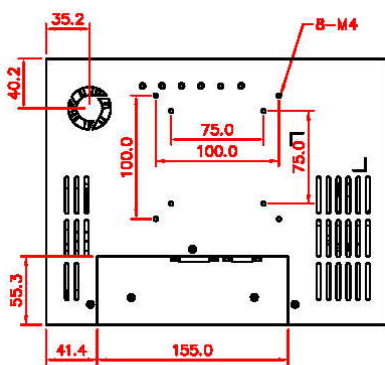


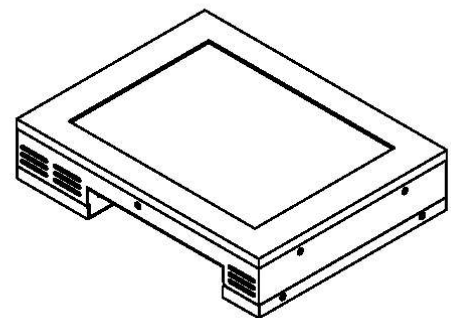
LCM-104T 10.4" TFT LCD Monitor, 640 x 480, 350 cd/m2 high brightness, with Touch screen, VGA, etc. .



Rugged steel construction	Support NEMA-4, IP-65 water-resistant	Side view	VESA-75, VESA-100 wall-mount
----------------------------------	--	------------------	-------------------------------------



LCM-104T



Specifications

LCD Display
10.4" TFT LCD color display

Resolution of LCD display
640 x 480 resolution at 350 cd/m2
Option : 800 x 600, at 250 cd/m2

MTBF of backlight :
Approximately 40,000 hours

Surface treatment of LCD :
Anti-glare and hard coating

Touch-screen (optional)

Resistive touch screen,
2048 x 2048 resolutions

Housing :

Rugged steel construction

Wall-mount standard

Meets VESA-75 and VESA-100 wall
mount standard, 4mm size screws

Dust / Water-resistant level

Meet NEMA-4, IP-65 dust and water
resistant standards

Wall-mounting method :

Meet VESA-75 and VESA-100
international wall-mount standards

VGA port

Support universal 15-pin female D-sub
VGA connector output

DVI connector :

Optional : Digital Video Interface is
available for your request.

RGB Analog Input :

Optional : Analog RGB inputs is also
available for your request

OSD control buttons :

There are five On-Screen-Display
buttons at the back for user's control.
The buttons control On-Off switch,
brightness, Contrast, left, right, up, and
down of the display

Audio cable

Audio cable is optional

Speakers :

Built in 2 speakers.

Power adapter

Universal 100 – 240VAC power adapter
is a standard.

DC power input : available for your
request

Other special features :

Available for your request