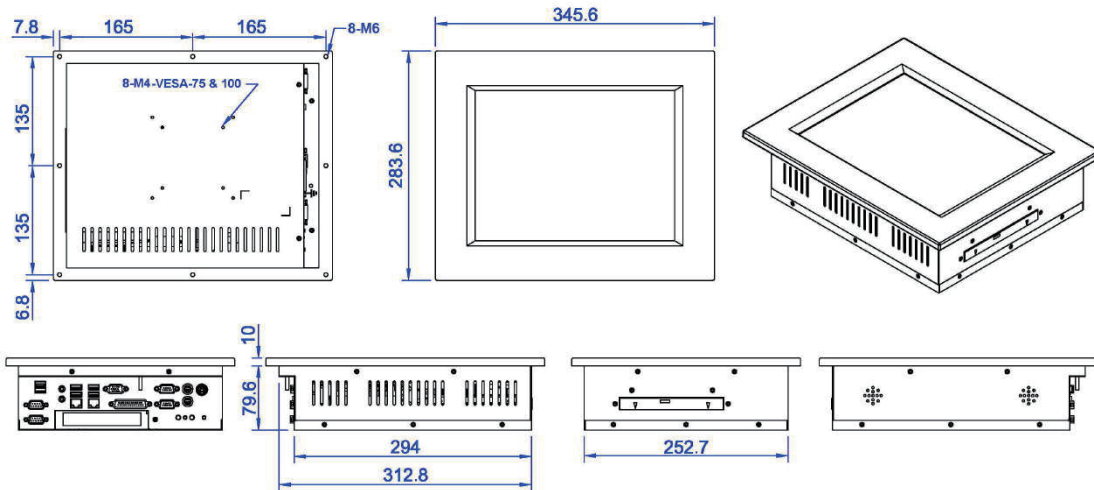


# PPC-1299T-AL

12" Rugged Extreme High Speed Panel PC  
Intel Core 2 Duo / Core 2 Quad LV Ultra High Speed



## LCD Display Grade

LCD Size	12" Active Matrix TFT LCD
Resolution	800 x 600 resolution
Aspect Ratio	4 : 3 standard ratio
Luminance	350 cd/m2
Color Depth	262,144 colors
View Angle	75(L) / 75(R) / 65(U) / 65(D) degree
Contrast Ratio	450 : 1 (typical)
Backlight life	50,000 Hours at 25°C ambient temperature

## Touch Screen

Touch Screen	12" long life 5-Wire Resistive Touch
Resolution	4096 x 4096 ultra high resolution

## Mainboard

CPU Extreme	Intel Extreme High Speed CPU
- Core 2 Quad	Core 2 Quad LV 2.0G with 6M L2 cache extreme
- Core 2 Quad	Core 2 Quad LV 2.267G with 12M L2 cache extreme
- Core 2 Duo	Core 2 Duo LV 2.4G with 3M L2 cache high speed
- Core 2 Duo	Core 2 Duo LV 2.53G with 4M L2 cache extreme
System Memory	1G, 2G, 4G, 8GB DDR3 high speed SO-DIMM
HDD, anti-shock	160, 320, 500GB anti-shock slim anti-shock HDD
SSD (Solid State)	8G, 16G, 32G, 64G, 128G, etc.

## Chipset

System Chipset	Intel GM45 and ICH10M
----------------	-----------------------

## I/O Interface

Graphics Chip	Intel GMA 4500MHD
Video RAM	384MB Video share RAM
COM (Serial)	4 RS232 COM Ports (Option: 6 COM Ports)
RS422 / 485	Option : 1 RS422 / 485
USB Port	6 USB2.0 Ports (max. 8 USB Ports)
PS2 Keyboard	1 PS2 Port for Keyboard interface
PS2 Mouse	1 PS2 Port for Mouse interface
Audio In-Out Port	Audio-in, Audio-out, HD Audio Ports
Digital I/O (option)	Optional 4 digital inputs and 4 digital outputs

## Expansion Slot

Mini PCI-e Slot	1 Mini PCI-e slot for future expansion e.g. WiFi
PCI Slot	1 x PCI slot hidden inside
CF Slot	1 x Compact Flash slot
SATA Slot	2 x SATA slot for second storage device

## Mechanical

Front Bezel	Solid aluminum front bezel
Construction	Rugged heavy-duty
Standard Color	Black color
Handle Grip	Optional

## Mounting Method

Panel Mount	Support Front Panel Mount
Wall-Mount	Support VESA-75 wall mount
Mounting Kit	Mounting Kit is available at extra cost

## IP-65 Rate

IP-65	IP-65 Water-proof at front side
Front Mount	Support front mount
Wall Mount	VESA-75 Wall mount

## Environmental

Operat Temperature	Meet MIL-STD-810F, 0°C to +60°C
Storage Temperature	Meet MIL-STD-810F, -20°C ~ +80°C
Shock	Meet MIL-STD-810F standard
Vibration	Meet MIL-STD-810F standard
CE	Meet CE standard
FCC	Meet FCC standard
RoHS	Meet RoHS standard

## Power Adapter

AC Power Source	External AC-DC adapter from 90 up to 264V
DC Power Source	Support DC 12V Power source
- DC24~28V	Optional DC18~32V power available at extra cost
UL Approval	UL Approval
cUL Approval	cUL Approval
TUV Approval	TUV Approval

## Ordering Information

PPC-1099T-AL	10" Core 2 Duo high speed Panel PC
PPC-1299T-AL	12" Core 2 Duo high speed Panel PC
PPC-1599T-AL	15" Core 2 Duo high speed Panel PC
PPC-1599T-AL-C2Q	15" Core 2 Quad extreme speed Panel PC
PPC-1799T-AL	17" Core 2 Duo high speed Panel PC
PPC-1799T-AL-C2Q	17" Core 2 Quad Extreme Speed Panel PC
PPC-1999T-AL	19" Core 2 Duo high speed Panel PC
PPC-1999T-AL-C2Q	19" Core 2 Quad extreme high speed CPU
PPC-2099T-AL	20" Core 2 Duo high speed Panel PC