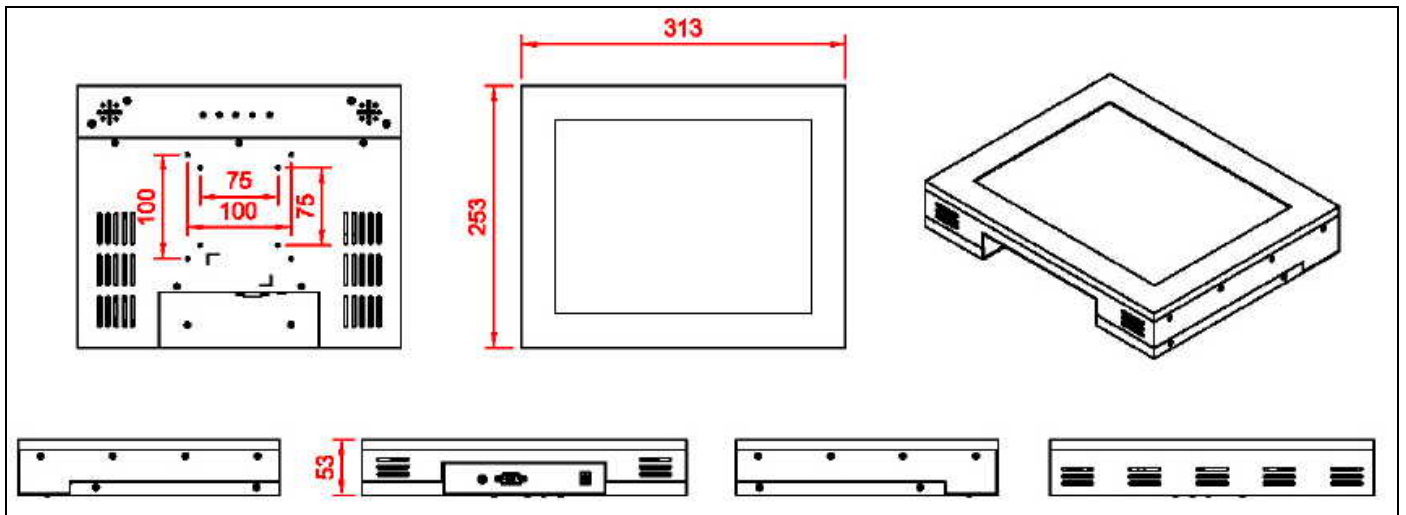
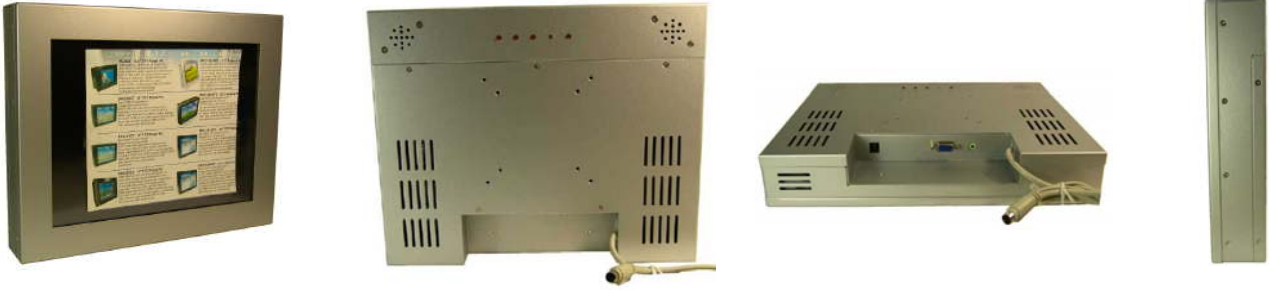


## DM-120 Chassis Waterproof LCD Monitor

12.1" LCD Monitor, 1024 x 768 resolution, D-sub RGB, DVI, Speakers, optional Touch-screen, BNC etc.



### Specifications

#### LCD Display size

12.1" TFT LCD color display

#### LCD Resolution

1024 x 768 Super VGA resolution

#### Brightness of LCD (Luminance)

200 – 250 cd/m2 high brightness, 262,144 colors

#### Wall-mount :

Meet industrial standard VESA-75 and VESA-100

#### Touch-Screen : optional

6-Wire long life analog Resistive Touch screen, 4096 x 4096 high resolution

#### IP Rating

IP-65 and NEMA-4 water and dust resistant rating

#### Interface (VGA, DVI, BNC, Touch)

- Standard 15-pin female D-sub RGB connector,
- DVI interface
- BNC video port (optional)
- Touch interface : serial port or USB port (optional)

#### Anti-vibration and anti-shock design

- Meet industrial-grade anti-shock and anti-vibration standards.
- Optional : Military-grade anti-shock, anti-vibration standards

#### Optional Temperature :

- Industrial grade : 0 ~ 50 degrees C
- Option : Military-grade : 0 ~ 60 degrees C

#### Audio port

Built in 2 stereo speakers, 1 x audio port

#### OSD Control buttons

On Screen Display buttons and On / Off power switch are located at the Rear side of the housing. These OSD buttons control screen position Up, Down, Left, Right, Brightness, Contrast ratio, menu.

#### Power Adapter

support 100 - 240V AC auto power range

#### Dimensions

294 (W) x 250 (H) x 45 (D) mm

#### Ordering Information :

##### LCM-120T

12.1" TFT LCD Monitor with 5-wire Resistive Touch screen

##### LCM-120

12.1" TFT LCD Monitor without touch screen